

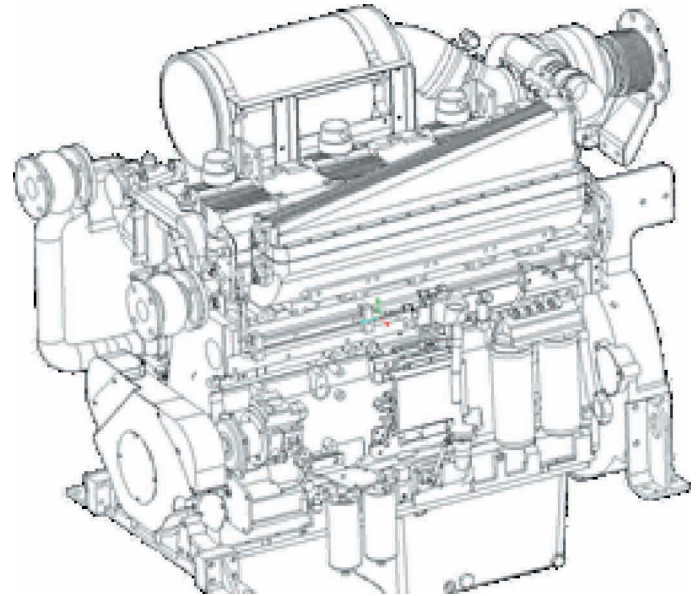
# QSK19-M



## MARINE PROPULSION ENGINE

### Specifications

ENGINE TYPE	IN-LINE, 6 CYLINDER, 4 STROKE DIESEL
BORE & STROKE	159 mm x 159 mm (6.25 in x 6.25 in)
DISPLACEMENT	19 L (1150 in <sup>3</sup> )
ROTATION	COUNTERCLOCKWISE FACING FLYWHEEL
ASPIRATION	TURBOCHARGED/AFTERCOOLED
EMISSIONS	IMO



### Ratings

ENGINE MODEL	OUTPUT POWER		ENGINE SPEED RPM	RATING DEFINITION	FUEL CONSUMPTION* L/hr (gal/hr)
	KW	HP			
<b>VARIABLE SPEED</b>					
QSK19-M	492	660	1800	CONTINUOUS	84 (22)
QSK19-M	567	760	2100	HEAVY DUTY	97 (26)
QSK19-M	597	800	2100	MCD	102 (27)

\* Average fuel consumption based on ISO 8178 E3 Standard Test Cycle

## The Cummins Advantage

- 24 Hour Customer Support
- Reliable & Durable Products
- Best in Class Life Cycle Cost
- Comprehensive Global Warranty

## Features and Benefits

**Engine Design** - Heavy duty, in-line, six cylinder configuration designed for maximum durability. Replaceable wet cylinder liners offer longer life and lower rebuild costs. Forged steel, articulated piston for increased power/torque capacity and gallery cooled for maximum durability

**Fuel System** - Reliable Cummins HPI fuel system offers precise fuel injection for less smoke and responsive performance

**Cooling System** - Single loop, low temperature aftercooled design eliminates the need for two keel coolers for reduced installation expense. Low profile heat exchanger system engineered for simplicity, utilized o-ring seals and piping that eliminates hose clamps for leak-free operation



Photo courtesy of Mark Freeman, Fremont Tugs

The tug Island Breeze is powered by two QSK19-M engines

**EVERY™  
JOB.**



# QSK19-M

## MARINE PROPULSION ENGINE

### Features and Benefits

**Exhaust System** - Dry, shielded exhaust manifold maximizes fuel economy and improves performance. Clockable exhaust connection

**Air System** - Cummins turbocharger optimized for marine applications. Marine grade air filter with air inlet restriction indicator. Low temperature aftercooled for optimum performance and durability

**Lubrication System** - Cast aluminum, marine grade, high capacity oil pan (60.6 L [16 gal]). Cummins combination filters include bypass and primary filters into one cartridge for simplified service and reduced disposal cost

**Electronics** - Quantum system electronics control engine performance by monitoring critical operating parameters. Benefits include complete engine protection, minimal smoke and optimized fuel consumption

**Certifications** - Complies with IMO emissions regulations. Certificates of compliance are available from the U.S. EPA and Lloyd's Register of Shipping. Consult your local Cummins professional for a complete listing of current marine agency approvals for this engine

#### Optional Equipment

- Digital Engine Display
- Engine Room and Pilot House Panels with Analog Gauges
- Gear Driven Accessory Drive - SAE A or B
- Integral Marine Gear Oil Cooler

### Dimensions

<b>LENGTH</b>	1692 mm	67 in
<b>WIDTH</b>	1011 mm	40 in
<b>HEIGHT</b>	1650 mm	65 in
<b>WEIGHT</b>	2373 kg	5231 lb

Dimensions and weight may vary based on selected engine configuration

### Every Question. Answered.

**Marine Web Site ([marine.cummins.com](http://marine.cummins.com))** - Offers product specifications, installation drawings and technical information as well as answers to frequently asked questions

**QuickServe® Online ([quickserve.cummins.com](http://quickserve.cummins.com))** - Gives easy access to parts and service information for all Cummins engines. Find the information you need with our high-speed search function and your engine's serial number



**Cummins Online Product Registration** - Register your Cummins engine quickly and easily at [marine.cummins.com](http://marine.cummins.com) to ensure quality parts and service

**Distributor Expertise** - The best source for service, parts and application assistance. To find your nearest Cummins distributor/dealer, go to the Worldwide Service Locator (click on Service Locator at [wsl.cummins.com](http://wsl.cummins.com)). If you need assistance beyond what your local Cummins professional has offered, contact the Regional Office for your area or send an e-mail to [wavemaster@cummins.com](mailto:wavemaster@cummins.com)

**Global Support Network** - Backed by the strength of Cummins distribution network with over 550 marine service locations in 160 countries, Cummins engines include a comprehensive, worldwide warranty



Cummins Inc.  
4500 Leeds Ave. - Suite 301  
Charleston, SC 29405  
U.S.A.

Internet: <http://marine.cummins.com>

Bulletin M10051 Printed in U.S.A. 09/06  
©2006 Cummins Inc.